



## Vestil Manufacturing Corp.

*A company dedicated to solving loading dock and material handling problems since 1955.*

2999 North Wayne Street, P.O. Box 507, Angola, IN 46703

Telephone: (260) 665-7586 -or- Toll Free: (800) 348-0868

Fax: (260) 665-1339

<http://www.vestil.com/> email: [info@vestil.com](mailto:info@vestil.com)

### CTD-H-TP-3000 Hydraulic Crate Dumper Instruction Manual



#### Receiving instructions:

After delivery, remove the packaging from the product. Inspect the product to determine whether it sustained damage during transport. If damage is discovered, record a complete description of it on the bill of lading and file a claim with the carrier immediately! If the product is undamaged, discard the packaging.

#### NOTE:

The end user is solely responsible for confirming that product design, use, and maintenance comply with laws, regulations, codes, and mandatory standards applied where the product is used.

#### Replacement Parts and Technical Assistance:

If you have questions that are not addressed in these instructions, or to order replacement parts, labels, and accessories, call (260) 665-7586 and ask for the Service and Parts Department. You can also reach Service and Parts online at <https://www.vestil.com/page-parts-request.php>.

#### Electronic Copies of Instruction Manuals:

Additional copies of this instruction manual may be downloaded from <https://www.vestil.com/page-manuals.php>.

## Table of Contents

Signal words ... ..	<a href="#">2</a>
Hazards ... ..	<a href="#">2</a>
National standards ... ..	<a href="#">4</a>
Model number, capacity, and specifications ... ..	<a href="#">4</a>
Major components ... ..	<a href="#">7</a>
Installation instructions ... ..	<a href="#">7</a>
Record of satisfactory condition ... ..	<a href="#">8</a>
Operation instructions ... ..	<a href="#">8</a>
Load composition (weight and balance) ... ..	<a href="#">10</a>
Inspection and maintenance ... ..	<a href="#">10</a>
Labeling diagram ... ..	<a href="#">13</a>
Limited warranty ... ..	<a href="#">14</a>

### **SIGNAL WORDS**

This manual uses SIGNAL WORDS to direct the reader's attention to important safety-related messages. These messages describe uses of the product that could result in personal injury or property damage. Each signal word corresponds to a specific hazard level. The following are definitions of signal words that might appear in this manual.



Identifies a hazardous situation which, if not avoided, WILL result in DEATH or SERIOUS INJURY. Use of this signal word is limited to the most extreme situations.



Identifies a hazardous situation which, if not avoided, COULD result in DEATH or SERIOUS INJURY.



Indicates a hazardous situation which, if not avoided, COULD result in MINOR or MODERATE injury.



Identifies practices likely to result in product/property damage, such as operation that might damage the product.

### **HAZARDS**

Vestil Manufacturing diligently strives to identify all foreseeable hazards associated with the use of its products. However, material handling is inherently dangerous and no manual can address every risk. The end user is ultimately responsible for exercising sound judgment at all times in the use of this product.



Improper or careless operation of this device might result in serious or fatal personal injuries to the operator and bystanders. ALWAYS use this product properly.

- ***Read and understand this entire manual before installing, using, or servicing this crate dumper.*** Keep this manual in a location known to persons who use the device. Read the manual whenever necessary to refresh your understanding of proper use, inspection, and maintenance procedures. ***Failure to read and understand this owner's manual before using or servicing the crate dumper constitutes a misuse of the product.***
- ALWAYS follow applicable operating safety rules and practices described in the current revision of ANSI/ITSDF B56.1, "Safety Standard for High Lift and Low Lift Trucks" (the "Standard") as well as all Occupational Safety and Health Administration (OSHA) regulations that govern use of front end attachments in the jurisdiction(s) where the crate dumper is used. The Standard may be downloaded at no cost from the ITSDF website ([www.ITSDF.org](http://www.ITSDF.org)).
- DO NOT exceed the maximum rated load (see Label 1153 on product; also shown on [p. 13](#)). THE CAPACITY OF THE TRUCK AND CRATE DUMPER COMBINATION MIGHT BE LESS THAN THE CAPACITY SHOWN ON THE CRATE DUMPER. CONSULT THE LIFT TRUCK NAMEPLATE AND UPDATED CAPACITY MARKINGS.

- The crate dumper is a front end attachment for forklift trucks. OSHA General Industry rule 1910.178 requires the manufacturer of the forklift truck provide written approval before a front end attachment may be used with a particular forklift truck. If the forklift truck manufacturer does not respond to the request for approval or refuses to provide written approval, a registered professional engineer may provide the necessary written approval.
- After receiving written approval to use the crate dumper with a particular forklift truck, the owner of the forklift must also mark it to identify the crate dumper attachment and show the approximate weight of the truck and attachment combination at maximum elevation with the load laterally centered. Capacity, operation, and maintenance instruction plates, tags, or decals must be changed accordingly.
- Lift trucks equipped with a front end attachment such as this crate dumper will behave as partially loaded trucks, even when operated without a load on the attachment.
- DO NOT attach the crate dumper to a three-point hitch. This crate dumper is not designed for use on a three-point hitch system.
- DO NOT use the crate dumper until you read and understand the entire manual. Review the manual as frequently as necessary to refresh your understanding of recommended use and maintenance procedures. Maintenance personnel should read this manual before maintaining or servicing the crate dumper.
- DO NOT use the crate dumper unless you are trained to use it.
- Inspect the crate dumper before each use (see "Inspection and Maintenance" on [p. 10](#)). DO NOT use the device unless it is in satisfactory condition. If you observe any structural damage (for example, significant damage to either fork pocket, the safety chain, or the tilting mechanism), or damage to or leakage from the hydraulic components, tag the unit "Out of Service" and report the damage to maintenance personnel. DO NOT use the crate dumper until it is restored to normal condition.
- Before mounting the crate dumper on the forks of your forklift, a qualified person should inspect the forks and fork carriage and confirm satisfactory condition.
- ALWAYS ensure the container is strong enough to support its load when rotated. It is the user's responsibility to evaluate any container used on the crate dumper. DO NOT attempt to dump a damaged or broken container.
- ALWAYS ensure the top stop is secured by both clevis pins before rotating a container.
- ONLY use the crate dumper to lift, transport, and rotate crates.
- DO NOT rotate or return to level a container with personnel standing beside, in front of, or under the crate dumper. Items falling from a container and pinch points on the crate dumper pose a hazard to bystanders.
- DO NOT allow people to ride or play on the crate dumper.
- DO NOT leave an elevated container unattended. Return the container to level; then lower the container to the ground. Back the forklift away until the container and crate dumper are completely free of each other.
- DO NOT use the crate dumper if the tilt mechanism, top stop, or either holder bar is damaged or broken. ONLY use the crate dumper if the tilt mechanism, top stop, and holder bars all function properly.
- DO NOT rotate a container by driving the fork tubes into the side or top of a dumpster or other object. ONLY use the hydraulic cylinders to rotate a container. Damage to the crate dumper caused by improper rotating is NOT covered by the limited warranty.
- DO NOT attempt to resolve any problems with this product unless you are certain that it will be safe to use afterwards.
- DO NOT modify the crate dumper in any way. Unauthorized modifications automatically void the limited warranty (see [p. 13](#)) and may make the product unsafe to use.

**NOTICE**

Proper use and maintenance are essential for this product to function properly.

- Always use this product in accordance with the instructions in this manual.
- Use only factory-approved replacement parts. Contact Vestil Manufacturing to order replacement or spare parts.
- Contact the manufacturer for SDS (Safety Data Sheet) information.

**NATIONAL STANDARDS**

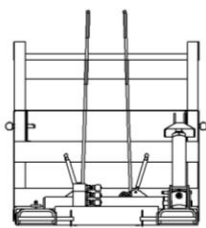
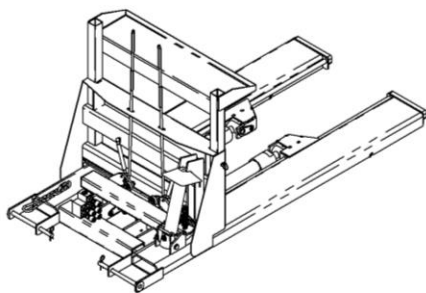
According to U.S. Federal Occupational Safety and Health Administration (OSHA) rule 1910.178 (29 CFR 1910.178; or, the "Rule"), this device is a *front end attachment* for a lift truck whenever it is mounted on the forks of a lift truck. The Rule incorporates the American National Standard ANSI/ITSDF B56.1 (the "Standard") published by the Industrial Truck Standards Development Foundation (ITSDF) on its website ([www.itsdf.org](http://www.itsdf.org)). The Standard is may be downloaded at no cost at <http://www.itsdf.org/cue/b56-standards.html>.

Before putting this crate dumper attachment into service, you must acquire a copy of the Standard. Apply all relevant parts of *Part II:For the User*. If instructions provided in this manual conflict with the Standard, then the Standard takes precedence over this Manual. Vestil requests you immediately share any conflict between this Manual and the Standard with its *TECHNICAL SERVICE* personnel. Contact information appears on the cover page of this Manual.

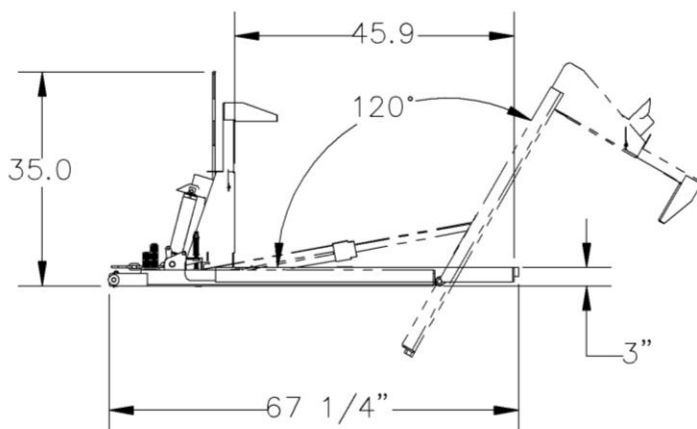
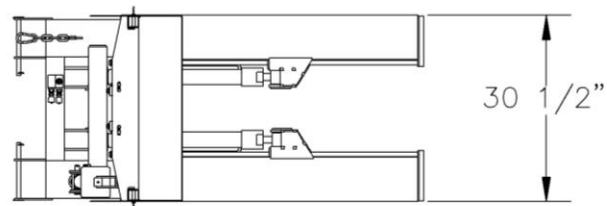
**MODEL NUMBER, CAPACITY, AND SPECIFICATIONS**

The crate dumper's model number, serial number, weight, and capacities are provided on label 1153. Refer to the labelling diagram on [p. 12](#). Refer to the product catalog of the factory for further information. Include the model and serial numbers in all correspondence with your dealer or the factory.

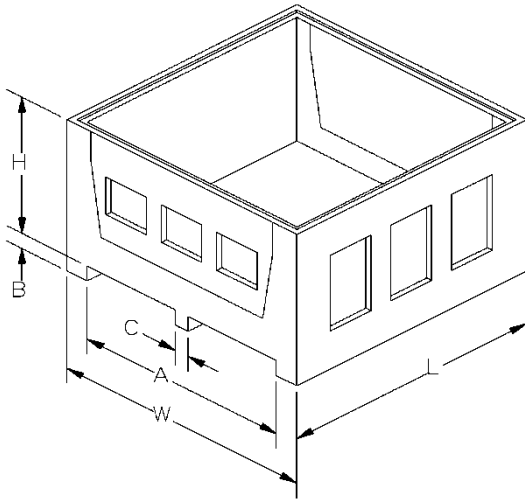
The load capacity rating as printed on label 1153 of your crate dumper designates its net capacity. This load capacity must never be exceeded, as permanent damage and/or personal injury may result.

**Overall dimensions and weight.**

PRODUCT WEIGHT = 497 LB  
LOAD CAPACITY = 3000 LB



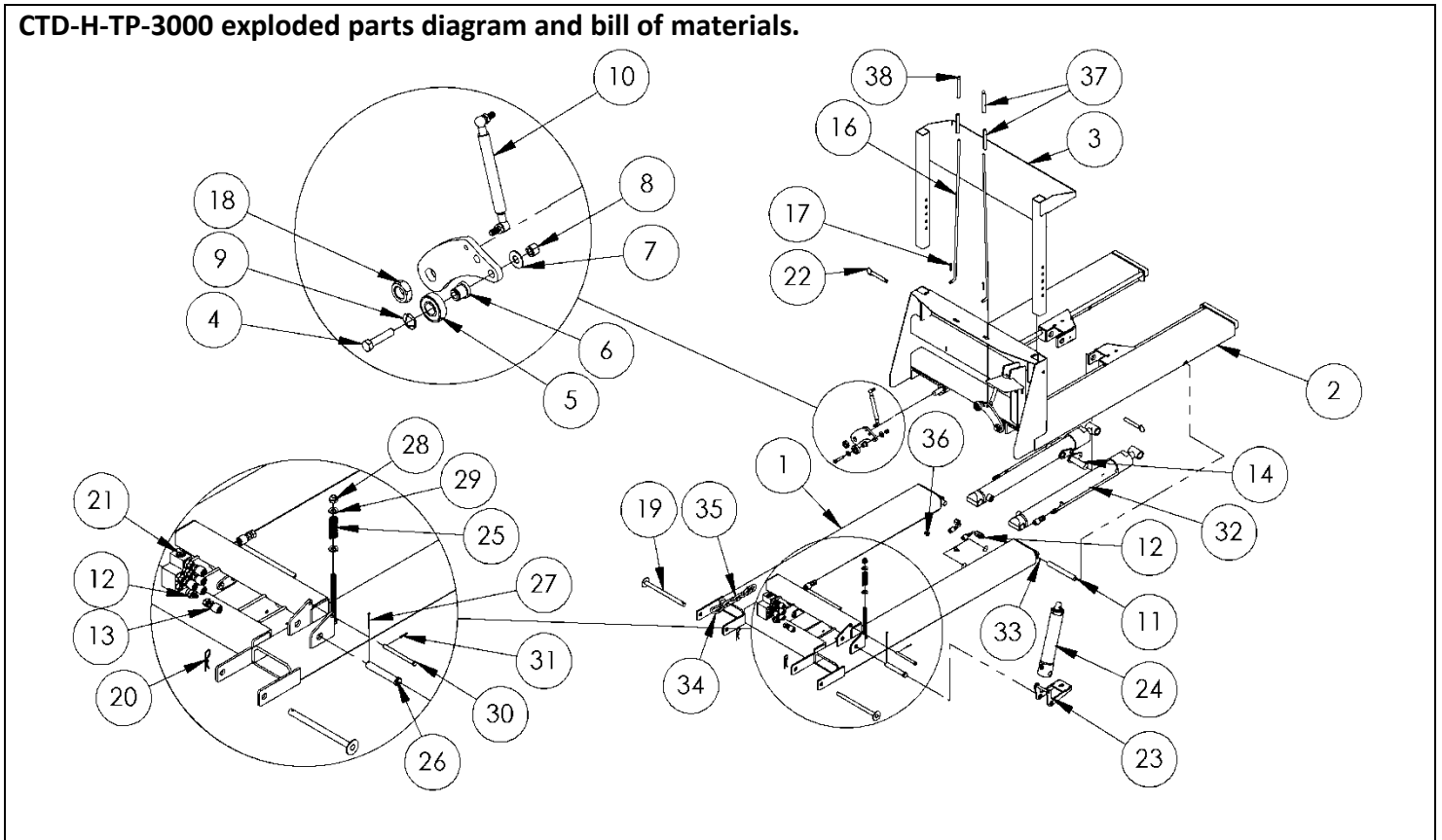
**Compatible container sizes.**



Length <b>L</b>	39"-45 7/8"	(991 mm-1165 mm)
Maximum width <b>W</b>	60"	(1524 mm)
Distance <b>H</b>	23 7/8"-30"	(708 mm-838 mm)
Minimum clearance <b>A</b>	30 1/2"	(775 mm)
Minimum clearance <b>B</b>	3"	(76 mm)
Maximum center <b>C*</b>	6 1/2"	(165 mm)

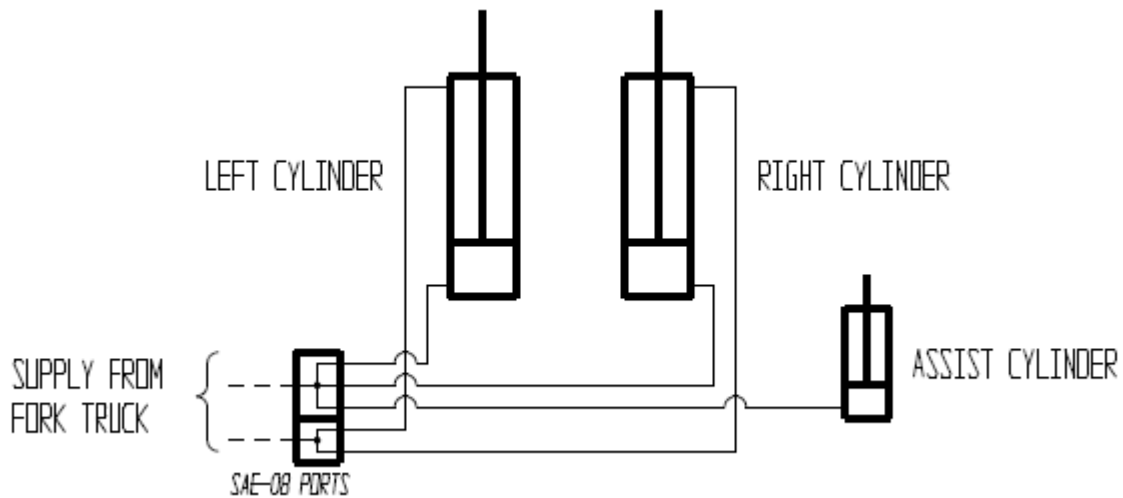
\* Center support **C** may be omitted from container.

**CTD-H-TP-3000 exploded parts diagram and bill of materials.**

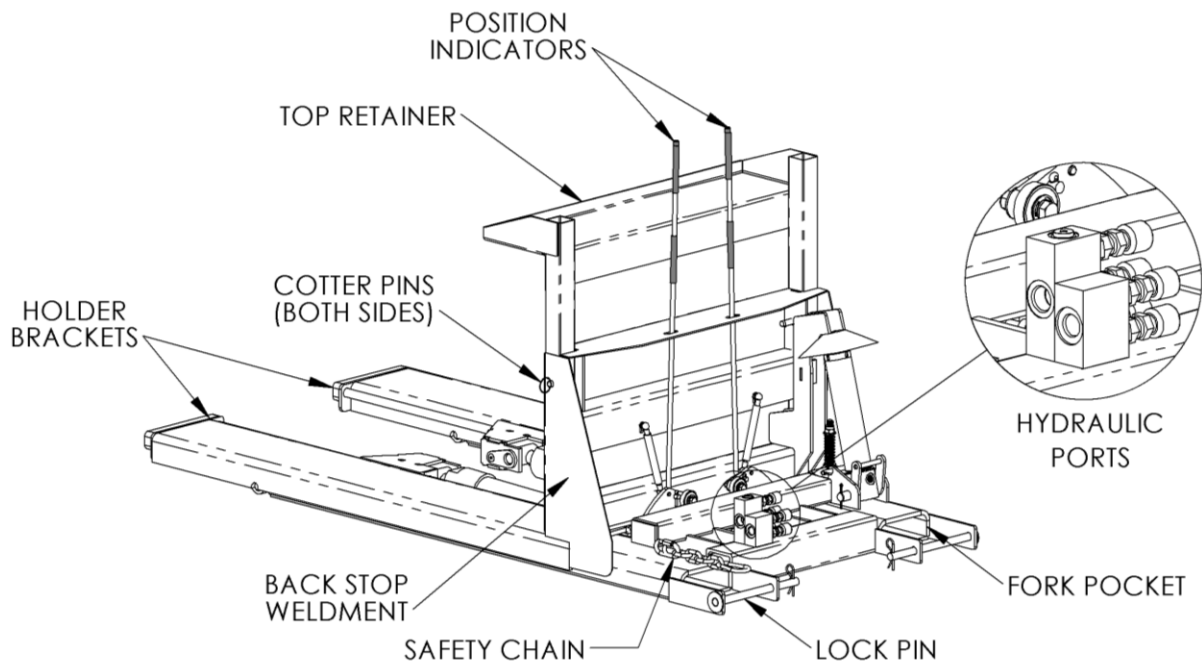


Item	Part No.	Description	Qty.	Item	Part No.	Description	Qty.
1	15-514-142	WELDMENT, FRAME LOWER	1	20	45286	#11 HITCH PIN CLIP, Ø1/8" X 2 5/8 LG	2
2	15-514-145	WELDMENT, FRAME UPPER	1	21	99-116-042	FITTING, HYDRAULIC, 06MORB HOLLOW HEX PLUG	1
3	15-514-146	WELDMENT, TOP STOP	1	22	99-112-004	PIN, SELF LOCKING QUICK RELEASE, GENERAL	2
4	11110	HEX BOLT, GRADE A, ZINC FINISH, 3/8"-16 X 1 3/4"	2	23	15-514-147	WELDMENT, KICK CYLINDER POSTIONER	1
5	20-110-006	ROLLER BEARING	2	24	99-021-915- 001	CYLINDER, HYDRAULIC, Ø1 1/2" x 7", RAM STYLE	1
6	21-113-021	SPACER, BEARING SHAFT	2	25	03-146-001	SPRING, LEVER	1
7	33008	FLAT WASHER, LOW CARBON, USS, ZINC PLATED, 3/8"	2	26	28-112-031	Ø3/4 x 4 1/2 LG CLEVIS PIN	1
8	37024	NYLON INSERT LOCK NUT, GRADE 2, ZINC FINISH, 3/8"-16	2	27	65080	EXTENDED PRONG COTTER PIN, ZINC FINISH, 1/8" x 2"	1
9	68083	E-CLIP, STEEL, FOR Ø5/8" SHAFT	2	28	37030	1/2"-13 NYLON INSERT LOCK NUT	1
10	15-145-016	GAS CYLINDER, LEVER POSITIONER	2	29	33011	FLAT WASHER, USS, PLAIN FINISH, Ø1/2"	2
11	15-112-073	PIN, CYLINDER PIVOT	2	30	99-112-006	PIN, CLEVIS	1
12	99-116-096	FITTING, HYDRAULIC, 06MJ- 08MORB STRAIGHT	7	31	65076	Ø1/8" X 1" COTTER PIN, Z-PLATED	1
13	06-116-001	FITTING, HYDRAULIC, HOSE, 04G-06FJX STRAIGHT	7	32	15-021-038	CYLINDER, HYDRAULIC, 2 X 20, DIA, W/ HARD LINE	2
14	15-612-003	WELDMENT, PIN, FRONT	4	33	25326	SOCKET SET SCREW, BLACK OXIDE, 1/4-20 X 1/4"	4
15	99-116-028	FITTING, HYDRAULIC, HOSE, 04G-06FJX 90° ELBOW	2	34	08-145-041	SPECIALTY HARDWARE, SNAP HOOK, Ø5/16	1
16	15-112-074	PIN, FRONT STOP POSITION INDICATOR, FORMED	2	35	09-145-018	CHAIN, 5/16" x 56" LG	1
17	65124	COTTER PIN Z PLATED, 3/16 x 1 1/4	2	36	91253A581	5/16"-18 x 3/4" HEX DRIVE SOCKET CAP SCREW BLACK OXIDE	4
18	36266	Ø3/4 - 16, HEX JAM NUT, ZINC PLATED	2	37	15-034-028	ACCESSORIES, ELECTRICAL, SHRINK WRAP	4
19	14-612-001	PIN, LOCK, WELDMENT	2	38	15-145-018	SPECIALTY HARDWARE, CAP	2



**CTD-H-TP-3000 hydraulic diagram.****MAJOR COMPONENTS**

The diagram identifies components for installation and use of the crate dumper.

**INSTALLATION INSTRUCTIONS**

While the CTD-H-TP-3000 crate dumper comes fully assembled from the factory, it is necessary for the customer to connect the unit to the fork truck hydraulic system.

1. Select hoses and fittings appropriate to connect your fork truck to the crate dumper. Connections to the crate dumper are made through two female SAE-08 ports (SAE J1926-1), located on the left-rear corner of the crate dumper (see illustration, above).

2. Adjust the fork tine separation to align with the fork pockets on the crate dumper (17 ¾" between inside edges).
3. Drive the fork truck forward to insert the tines into the fork pockets. Drive forward until the ends of the tines contact the ends of the fork pockets.
4. To prevent the crate dumper from sliding off the forks, insert the lock pins behind both fork tines. Secure both lock pins with the #11 hitch pin clips.
5. Attach the safety chain to the carriage of your lift truck. *Remove all slack from the safety chain.*
6. With the fork truck hydraulic system de-energized, have a qualified person make the hydraulic connections between the fork truck and the crate dumper. The forward port (towards the load) is plumbed for extending the lift assist cylinder and rotating a container; the rear port (towards the fork truck) for returning a container to level.
7. Power the forklift. Test the rotate and return functions. If necessary, de-energize the hydraulic system and reverse the connections.
8. Bleed the hydraulic valves. Reference the instructions on [p.11](#).

## **RECORD OF SATISFACTORY CONDITION**

Before using the crate dumper for the first time, make a record describing its appearance. Thoroughly photograph the crate dumper from multiple angles, including all welds and anchor points, and all labeling applied to it. Describe where each label is located. Collect all photographs and writings into a file. Mark the file appropriately to identify it. This record documents satisfactory condition. Compare the results of future inspections to this record to determine if the crate dumper is in satisfactory condition. Do not use the crate dumper unless it is in satisfactory condition.

## **OPERATION INSTRUCTIONS**

*Use of the crate dumper must conform to occupational health and safety (OSH) rules applicable in the location where the crate dumper is used. In particular, consult OSHA standard 1910.1978 (Powered industrial trucks) for the owner's/user's responsibilities regarding the operation, care, and maintenance of this product. **Before putting the crate dumper in service, it is the user's responsibility to contact local OSH and building department authorities to determine how laws, regulations, codes, etc. affect your use of the dumper.***

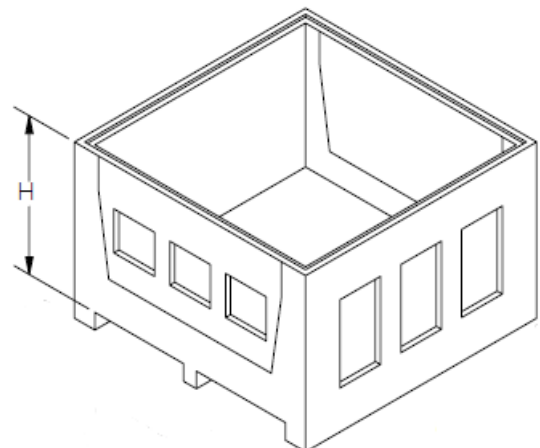
Reference the *MAJOR COMPONENTS* diagram, [p. 7](#), to locate components discussed in the operation instructions.

### **Prior to use.**

Inspect the crate dumper for damaged parts, loose or missing fasteners, or any other condition that would prevent its safe use. Inspect the hydraulic hoses and cylinders for damage or leaks. Have a qualified person repair or replace damaged or worn parts before using the dumper.

### **During use.**

Measure distance **H** on your container, from the top of the fork access to the top of the container. Remove the two cotter pins from the sides of the back stop. Adjust the top retainer to the next larger height increment than **H**. Re-insert the cotter pins. **DO NOT** use the crate dumper without both cotter pins being in place.





Drive the crate dumper under the container. Advance until the container contacts the back stop on the crate dumper.

When transporting a container, lift the tines just enough for the container to clear the floor.

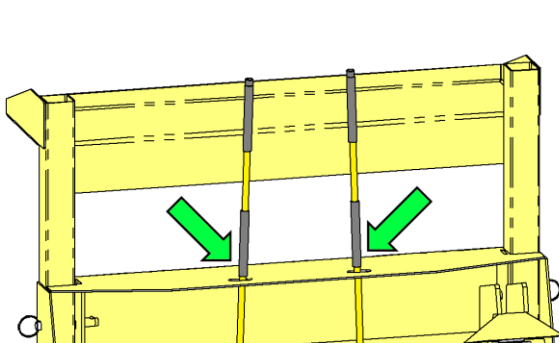
Before rotating the container, lift the tines to a height of 30" or more above the floor to provide clearance for the container. Make sure no personnel are standing beside, in front of, or under the crate dumper. Items falling from a container, and pinch points created by the motion of the crate dumper, pose a hazard to bystanders.

### NOTICE

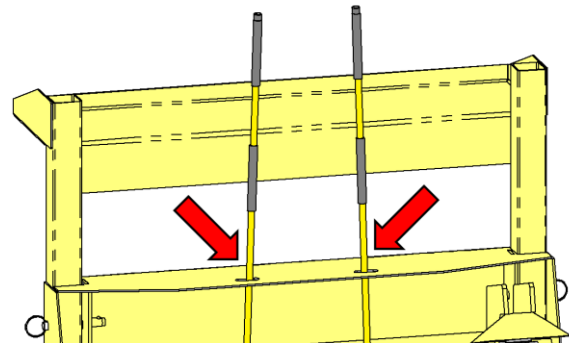
DO NOT rotate, or return to level, a container by driving the fork tubes into the side or top of a dumpster or other object. ONLY use the hydraulic cylinders to rotate a crate. Damage to the crate dumper caused by improper rotating is NOT covered by the limited warranty.

When rotating a container, the fork truck driver shall ensure that both holder brackets on the front of the crate dumper have rotated up and will secure the container during rotation. Each holder bracket has a position indicator facing the fork truck driver. When a holder bracket is in position to secure the container, its position indicator will be pulled down so that the bottom of the shrink wrap is even with the top of the back stop weldment (see illustration below). Holder brackets should automatically flip into position as rotation starts.

When rotating a container, the fork truck driver shall ensure that both position indicators signal that the container is secure. If either position indicator signals that a holder bracket has not flipped up (i.e., the indicator hasn't dropped down), immediately stop rotating the container and investigate the cause (i.e., the container is sitting on top of the holder bracket, preventing its motion). Correct the issue before rotating the container.



Holder brackets rotated **UP**. Container secure for rotation.



Holder brackets rotated **DOWN**. DO NOT continue rotation!

### WARNING

*Rotating a container without the holder brackets rotated up will result in the container falling off the crate dumper.*

Be prepared for shifting of the container and/or its load during rotation.

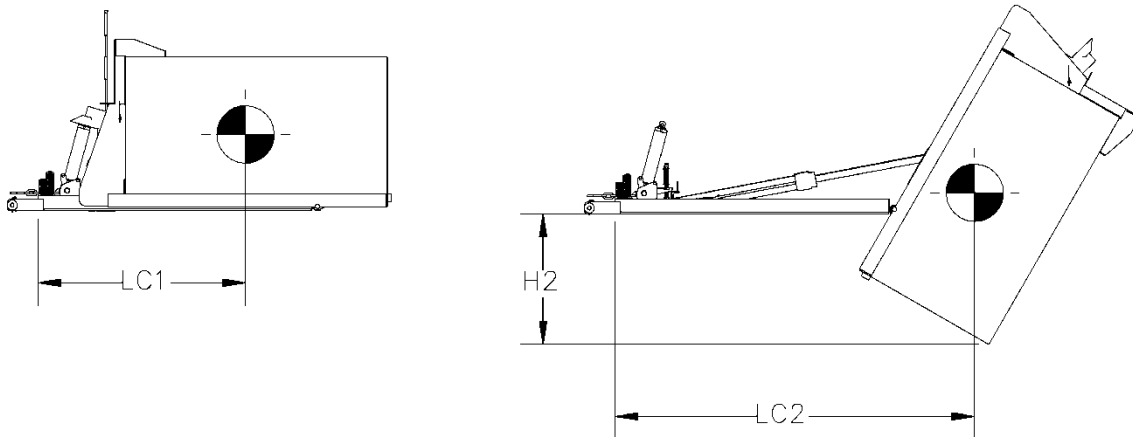
Do not leave an elevated or rotated container unattended. Internal leakage of the fork truck hydraulics may allow the tines to drop over an extended time period. Do not allow a rotated container to support the weight of the crate dumper.

Return a container to level before transporting it to another location.

## **LOAD COMPOSITION (WEIGHT AND BALANCE)**

The customer is required to mark the forklift truck to identify the crate dumper attachment and show the approximate weight of the truck and attachment combination at maximum elevation with the load laterally centered. Capacity, operation, and maintenance instruction plates, tags, or decals must be changed accordingly.

The total weight of the crate dumper with its maximum load (3000 lb/1360 kg) is approximately 3500 lb (1588 kg). The illustration depicts the approximate location of the load center of the crate dumper having a 3000-lb, uniformly-distributed load. The container is depicted at its maximum allowable length  $L$  and height  $H$  (47 7/8" and 30", respectively).



$LC1 = 37.2''$ (945 mm), measured from fork tine shank	$LC2 = 63.1''$ (1602 mm)	$H2 = 26.79''$ (677 mm)
---	--------------------------	-------------------------

The load center is calculated for a fork truck having 48" (1219 mm) tines, fully inserted into the fork pockets. If your truck has longer forks, the distance between the rear of the crate dumper and the shank (upright portion of the tine) must be added to  $LC1$  and  $LC2$  when determining the load center. Contact *TECHNICAL SERVICE* for questions related to loading and rotating the crate dumper.

### **⚠ WARNING**

*DO NOT exceed the crate dumper's load capacity. Injury to personnel and/or permanent damage to the unit can result from exceeding the listed capacity.*

*DO NOT exceed the forklift's load or load moment capacity. Injury to personnel and/or permanent damage to the crate dumper or forklift can result from exceeding the listed capacities.*

## **INSPECTION AND MAINTENANCE**

Proper maintenance is essential for maximizing the service life of this product. If an inspection reveals any irregularities in the crate dumper's condition, repair it before returning it to service. Only use manufacturer-approved replacement parts. Contact Technical Service if you have questions that are not addressed in these instructions or if you are uncertain how to address an issue discovered during an inspection. Technical Service can be contacted by calling (260) 665-7586 and asking for the Service and Parts Department or by submitting questions online at <https://www.vestil.com/page-parts-request.php>.

Inspection procedures are included in the current revision of ANSI B56.1 (the "Standard"). As stated in the NATIONAL STANDARDS section on [p. 4](#), you must acquire a copy of the most recent revision of the Standard. Apply all use and maintenance/care instructions in the Standard. Vestil also recommends that you contact your local occupational

safety and health authority to determine if any laws, regulations, codes, ordinances, etc. apply inspection requirements to products like this crate dumper.

Inspections and repairs should only be performed by qualified persons. Compare the results of each inspection to the RECORD OF SATISFACTORY CONDITION (the "RECORD") on [p. 8](#). Do not use the dumper unless all parts are in satisfactory condition. Replace parts that are not in satisfactory condition before using the dumper again. DON'T GUESS! If you have any questions about the condition of your lifter, contact the *TECHNICAL SERVICE* department. The phone number is provided on the cover page of this manual. Only use manufacturer-approved replacement parts. Never make temporary repairs of damaged or missing parts.

 **WARNING**

*Care should be taken to identify all potential hazards and comply with applicable safety procedures before beginning work. Only qualified individuals should attempt troubleshooting and repair of this product.*

**Initial inspection.**

Prior to use, any new, altered, modified, or repaired crate dumper shall be inspected by a qualified person. Complete the daily inspection items before releasing the crate dumper for regular use.

**Daily inspection.**

At the beginning of every shift, a designated person shall complete these inspections. Remove the crate dumper from service and repair or replace any damaged parts if any of the following is found. Look for:

1. Dirt, debris, oil, or grease. Clean or wipe as needed.
2. Damaged or unreadable labels.

**Periodic inspection.**

At least once per month, a designated person shall complete these inspections. Remove the crate dumper from service and repair or replace any damaged parts if any of the following is found. Look for:

1. Cracks or other mechanical damage to the hydraulic lines and fittings.
2. Leaks in the hydraulic components.
3. Bent or deformed structural members.
4. Cracked or broken welds.
5. Loose or missing fasteners and cotter pins.
6. Hinges and pivot points. Lubricate pivot points periodically.
7. Overall condition of the crate dumper. The structure should be clean, square, rigid, and free of rust and corrosion. Remove any surface rust.

**Bleeding the hydraulic cylinders.**

Air can enter the hydraulic system at any time its components are opened for service. Symptoms of air in the system include erratic or bouncing motion of the rotating platform, sponginess in holding position, unusual noises, or foaming in the hydraulic fluid.

Running an unloaded dumper through several rotate/level cycles can expel much of the trapped air. If it becomes necessary to bleed air from the system:

1. Remove all loads from the crate dumper.
2. Raise the fork truck tines to allow rotation. Rotate the crate dumper platform forward to an angle of approximately 45°.
3. Position a rigid stop to allow about ½"-1" of compression in the hydraulic cylinders. Some motion is necessary to expel air from the system.

4. Hold a rag over one cylinder's lower fitting. Use a wrench to loosen the fitting until oil and air starts sputtering out. Once no more air comes out, tighten the fitting.
5. Repeat this procedure for the other hydraulic cylinder.

This section intentionally left blank.

## LABELING DIAGRAM

The crate dumper should be labeled as shown in the diagrams. Label content and location are subject to change, so your product might not be labeled exactly as shown. Thoroughly photograph the crate dumper when you first receive it as discussed in the Record of Satisfactory Condition section on [p. 8](#). Make sure that your record includes a photograph of each label. Replace all labels that are or later become damaged, missing, or not easily readable (e.g. faded).

To order replacement labels, contact the technical service and parts department online at <https://www.vestil.com/page-parts-request.php>. Alternatively, you may request replacement parts and/or service by calling (260) 665-7586 and asking the operator to connect you to the Parts Department.

# CTD-H-TP-3000

A: Label 1153 with 770 overlay, FACING OPERATOR

MODEL / MODÉLO / MODÈLE \_\_\_\_\_  
 WEIGHT / PESO / MASS \_\_\_\_\_  
 CAPACITY / CAPACIDAD / CAPACITÉ \_\_\_\_\_  
 SERIAL / SERIE / SÉRIE \_\_\_\_\_  
 UNITS: 2.2 lb = 1kg      1" (or 1in) = 2.54cm      1153

B: Label 220, BOTH SIDES

<b>▲WARNING</b>	<b>▲ADVERTENCIA</b>	<b>▲AVERTISSEMENT</b>
KEEP CLEAR WHEN IN USE	MANTENGASE ALEJADO CUANDO SE ESTA OPERANDO	SE TENIR À DISTANCE LORS DU FONCTIONNEMENT

C: Label 821, FACING OPERATOR

**▲WARNING**  
 Risk of serious injury or death. Read and understand entire owner's manual BEFORE using.

D: Label 208, BOTH SIDES

<b>▲WARNING</b>	<b>▲ADVERTENCIA</b>	<b>▲AVERTISSEMENT</b>
KEEP CLEAR OF PINCH POINT	MANTENGASE ALEJADO DEL PUNTO DE CORTE	SE TENIR À DISTANCE DU POINT DE PINCEMENT

E: Label 206, FACING OPERATOR

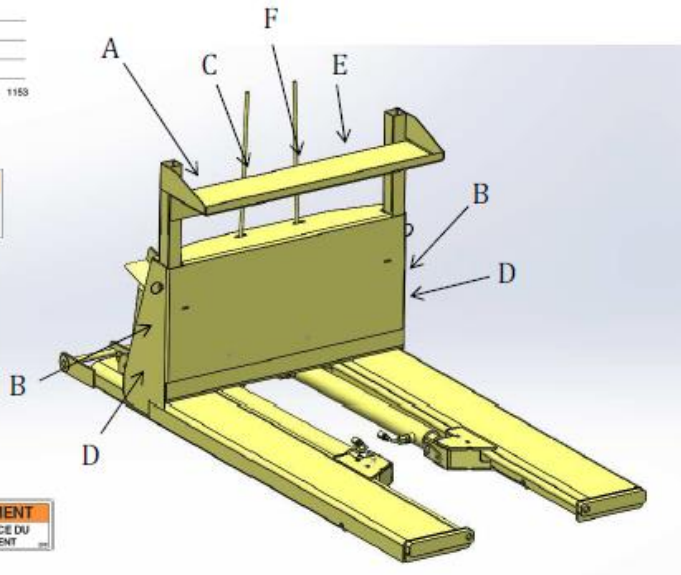
**ISO 32 / 150 SUS**  
 HYDRAULIC OIL OR NON-SYNTHETIC TRANSMISSION FLUID  
 ACEITE HIDRAULICO O LIQUIDOS DE TRANSMISION NO SINTETICOS  
 HUILE OU LIQUIDE HYDRAULIQUE NON-SYNTHEIQUE

F: Label 1049, FACING OPERATOR

**▲WARNING**

Improper use of this fork attachment might result in death or serious injury.

- Using this front end attachment affects lift track center of gravity.
- Before using this fork attachment, US Federal regulation 29 CFR 1910.179 requires you to contact the manufacturer of your lift truck and request:
  - Review approved (29 CFR 1910.179) lift truck.
  - Manuals for (fork) lift truck that:
    - Identify the attachment;
    - Give appropriate weight of truck and attachment at maximum elevation with laterally-controlled load. (29 CFR 1910.179(k)(3)).
- DO NOT use UNTIL lift truck is marked with corrected capacity tags. — 174



Label 1072 is to be applied to the outside of individual packaging

<b>▲WARNING:</b> Reproductive Harm - <a href="http://www.P65Warnings.ca.gov">www.P65Warnings.ca.gov</a>	<b>▲ADVERTENCIA:</b> Daño Reproductivo - <a href="http://www.P65Warnings.ca.gov">www.P65Warnings.ca.gov</a>
<b>▲WARNING:</b> Cancer - <a href="http://www.P65Warnings.ca.gov">www.P65Warnings.ca.gov</a>	<b>▲ADVERTENCIA:</b> Cáncer - <a href="http://www.P65Warnings.ca.gov">www.P65Warnings.ca.gov</a>

# TRUCK POWERED CRATE TURNER DUMPER

3/12/2021

## LIMITED WARRANTY

Vestil Manufacturing Corporation ("Vestil") warrants this product to be free of defects in material and workmanship during the warranty period. Our warranty obligation is to provide a replacement for a defective, original part covered by the warranty after we receive a proper request from the Warrantee (you) for warranty service.

### Who may request service?

Only a warrantee may request service. You are a warrantee if you purchased the product from Vestil or from an authorized distributor AND Vestil has been fully paid.

### Definition of "original part"?

An original part is a part used to make the product as shipped to the Warrantee.

### What is a "proper request"?

A request for warranty service is proper if Vestil receives: 1) a photocopy of the Customer Invoice that displays the shipping date; AND 2) a written request for warranty service including your name and phone number. Send requests by one of the following methods:

#### US Mail

Vestil Manufacturing Corporation  
2999 North Wayne Street, PO Box 507  
Angola, IN 46703

#### Fax

(260) 665-1339  
Phone  
(260) 665-7586

#### Email

[info@vestil.com](mailto:info@vestil.com)

Enter "Warranty service request" in subject field

In the written request, list the parts believed to be defective and include the address where replacements should be delivered. After Vestil receives your request for warranty service, an authorized representative will contact you to determine whether your claim is covered by the warranty. Before providing warranty service, Vestil will require you to send the entire product, or just the defective part (or parts), to its facility in Angola, IN.

### What is covered under the warranty?

The warranty covers defects in the following original, dynamic parts: motors, hydraulic pumps, motor controllers, and cylinders. It also covers defects in original parts that wear under normal usage conditions ("wearing parts"), such as bearings, hoses, wheels, seals, brushes, and batteries.

### How long is the warranty period?

The warranty period for original dynamic components is 1 year. For wearing parts, the warranty period is 90 days. Both warranty periods begin on the date Vestil ships the product to the Warrantee. If the product was purchased from an authorized distributor, the periods begin when the distributor ships the product. Vestil may, at its sole discretion, extend a warranty period for products shipped from authorized distributors by up to 30 days to account for shipping time.

### If a defective part is covered by the warranty, what will Vestil do to correct the problem?

Vestil will provide an appropriate replacement for any covered part. An authorized representative of Vestil will contact you to discuss your claim.

### What is not covered by the warranty?

The Warrantee (you) are responsible for paying labor costs and freight costs to return the product to Vestil for warranty service.

### Events that automatically void this Limited Warranty.

- Misuse;
- Negligent assembly, installation, operation or repair;
- Installation/use in corrosive environments;
- Inadequate or improper maintenance;
- Damage sustained during shipping;
- Collisions or other accidents that damage the product;
- Unapproved modifications: Do not modify the product IN ANY WAY without first receiving written authorization from Vestil.

### Do any other warranties apply to the product?

Vestil Manufacturing Corp. makes no other express warranties. All implied warranties are disclaimed to the extent allowed by law. Any implied warranty not disclaimed is limited in scope to the terms of this Limited Warranty. Vestil makes no warranty or representation that this product complies with any state or local design, performance, or safety code or standard. Noncompliance with any such code or standard is not a defect in material or workmanship.

